



**Fischer Panda®**

# Electric motors for drive systems

## Powerful electric motors from Fischer Panda

- Permanent magnet technology
- Highly efficient
- Brushless
- High-grade steel / aluminium housing
- High torque - even at low speeds
- Easy to maintain - suited for commercial applications
- Regeneration
- No oil used for cooling
- Maximum torque - from the first turn!
- Quiet - no gearbox
- 48 Volt - low voltage
- Integrated thrust bearing
- All performance ratings = on the shaft

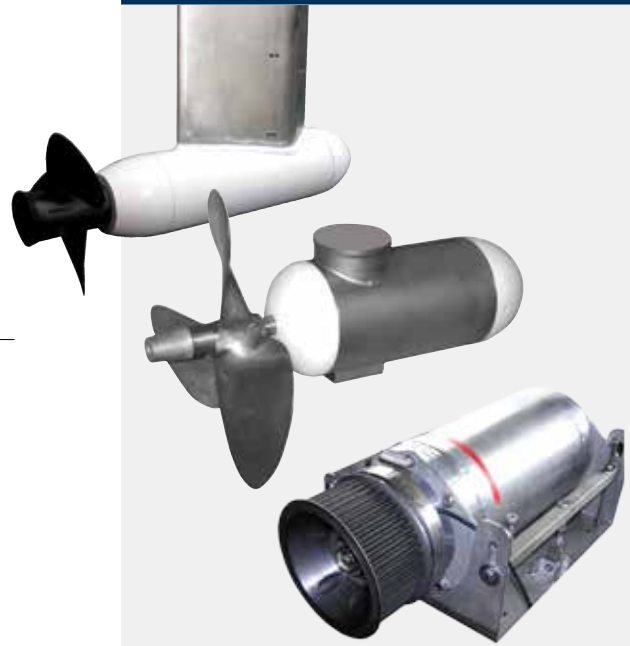
Fischer Panda manufactures electric motors from 7.5 kW to 20 kW. The motors use permanent magnet technology, are highly efficient, brushless and have an integrated thrust bearing. They are available as underwater podded or as shaft versions. Both operate without sensors. Full torque is available from the motor throughout the entire speed range. This makes manoeuvring in the harbour child's play.

The underwater podded motors require no additional cooling. They can be fitted to an existing rudder or steering system. These feature a 3-stage sealing ring which provides a high degree of security and the minimum of maintenance. Fischer Panda offers various mountings to suit various hull forms.

The versions are designed to be mounted within the vessel. They feature a double-walled aluminium housing which is water-cooled with integrated thrust bearing.

If the motor is installed as an auxiliary drive, a parallel hybrid version with an electromagnetic coupling is available. It is easy to install, economical, and very quiet and can be operated on protected waters where combustion engines are prohibited. Sailing yachts with a fixed propeller can let the propeller rotate (drag) to recharge the batteries.

A maximum performance of 20 kW / 48 V can be achieved on each drive shaft. All motors can be combined using the "Easybox" drive system. The installation is cost-effective and easy for a qualified technician. All systems are tested under load before being delivered to the customer.



Underwater podded motor



Motor with kort nozzle

## Underwater podded motor

Type	Version	Speed	Performance	Torque	Weight	Operation
		[rpm]	[kW]	[Nm]	[kg]	
A06-140-6-AZ	Podded underwater drive	2500 / 1250	7,5 / 3,8	28	18,7	S1
A50-160-6-AZ	Podded underwater drive	1200	10	79	50	S1
B00-150-8-AZ	Podded underwater drive	600	10	160	76	S1
B00-150-8-AZ	Podded underwater drive	1200	20	160	76	S1
B00-300-8-AZ 20 kW	Podded underwater drive	600	20	320	120	S1

Note: The propeller is only included when the motor is fitted with a kort nozzle. If this is not the case, the propeller must be purchased separately.



## Shaft motor

Type	Version	Speed	Performance	Torque	Weight	Operation
		[rpm]	[kW]	[Nm]	[kg]	
A06-140-6-SH	Shaft drive	2500 / 1250	7,5 / 3,8	28	15	S1
A50-160-6-SH	Shaft drive	1200	10	79	44	S1
B00-150-8-SH 10 kW	Shaft drive	600	10	160	58	S1
B00-150-8-SH 20 kW	Shaft drive	1200	20	160	58	S1
B00-300-8-SH 20 kW	Shaft drive	600	20	320	96	S1



## Parallel-hybrid drive

Type	Version	Speed	Performance	Torque	Weight	Operation
		[rpm]	[kW]	[Nm]	[kg]	
B00-150-8-SH	Parallel-hybrid drive	600	10	160	71	S1
B00-300-8-SH	Parallel-hybrid drive	600	20	320	103	S1

Disclaimer: The information contained here is to the best of our knowledge accurate at the date of publication. Please note that the data in this publication reflects the technical state at time of print. Due to our policy of continual product development, we reserve the right to alter technical specifications without notice.

Stand: 01/ 2017



**Fischer Panda GmbH**  
Otto-Hahn-Str. 40  
D-33104 Paderborn  
Germany

Tel. : +49 (0)5254 9202-0  
Fax : +49 (0)5254 9202-550  
Hotline: +49 (0)5254 9202-767  
Email : [info@fischerpanda.de](mailto:info@fischerpanda.de)  
Web : [www.fischerpanda.de](http://www.fischerpanda.de)

